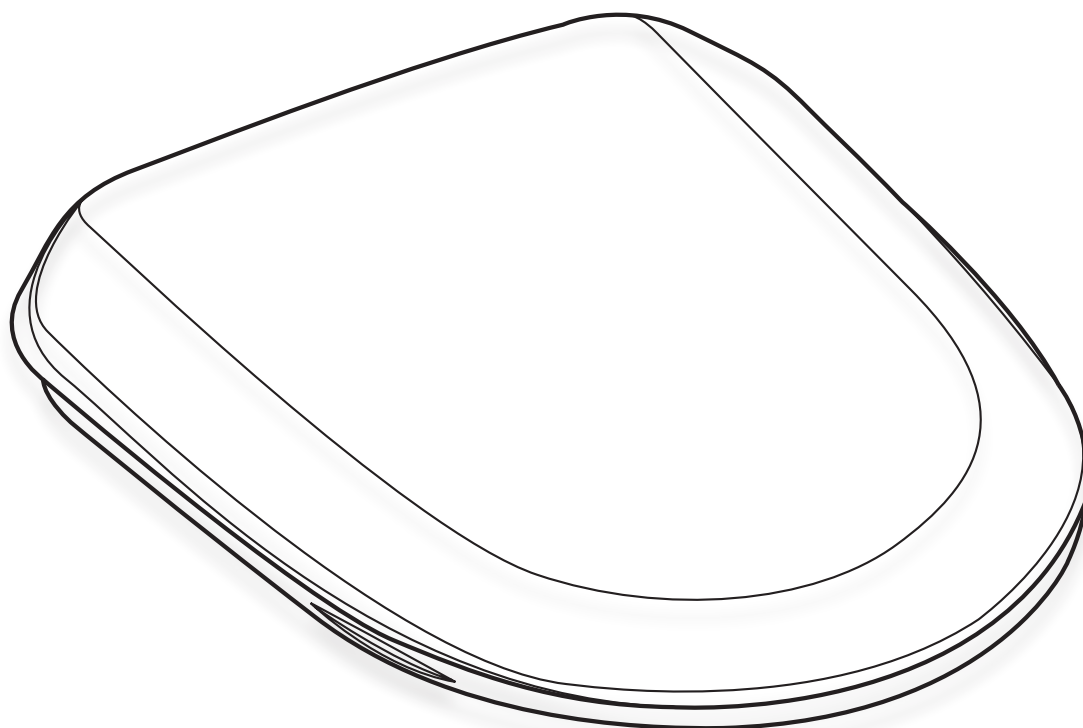


- FI** Asennusohjeet
- SE** Monteringsanvisning
- NO** Monteringsvejledning
- GB** Installation instruction
- EE** Paigaldusjuhend
- LT** Naudojimo instrukcija
- LV** Montāžas instrukcija

Trevi

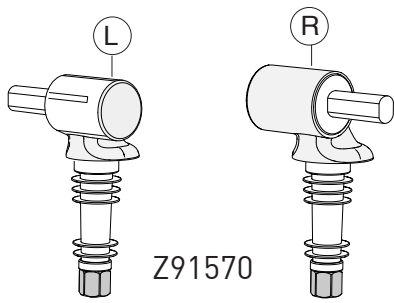
Istuinkansi • Sits • Sete • Seat



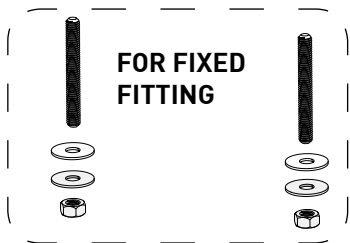
91597

91596

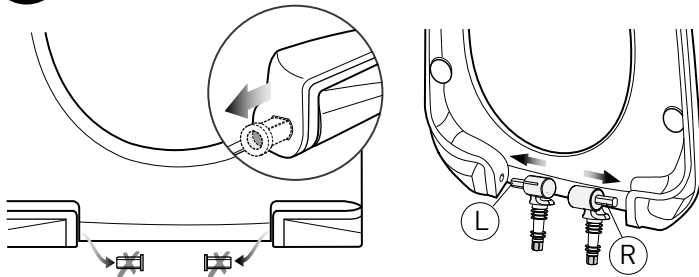
**SOFT CLOSE-FIXED FITTING/QUICK RELEASE**



Z91570

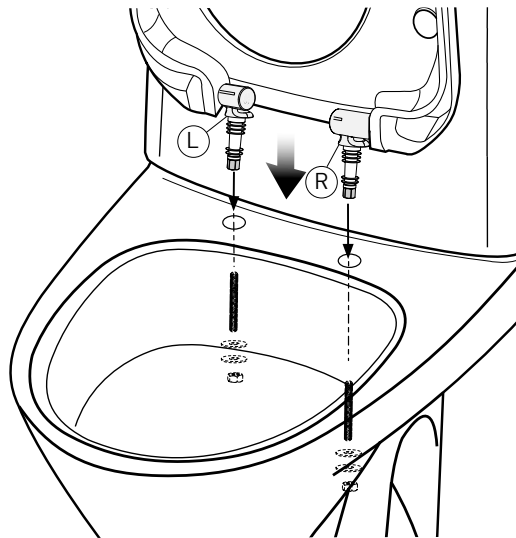
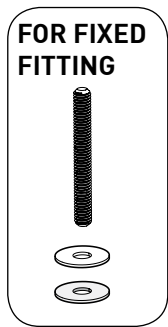


**1**

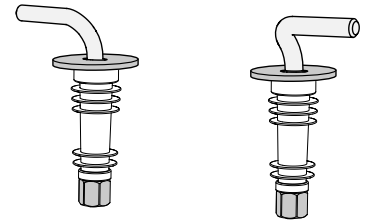


**2**

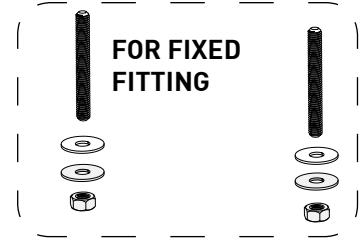
**QUICK RELEASE**



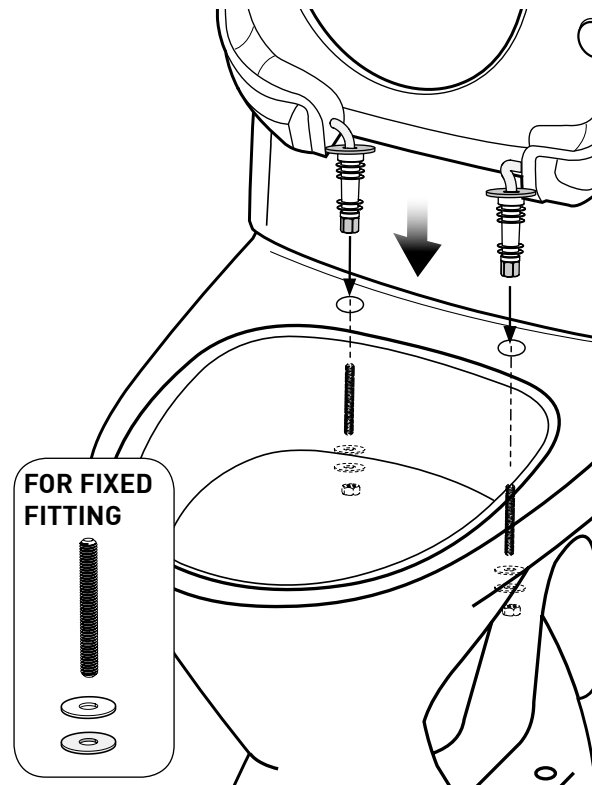
**FIXED FITTING/QUICK RELEASE**



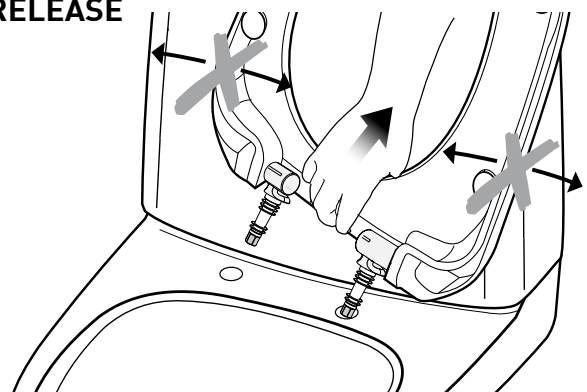
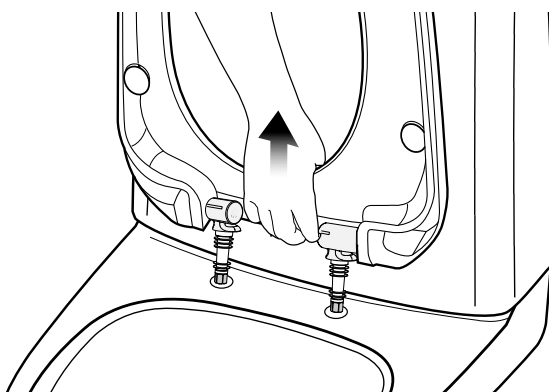
Z91197



**QUICK RELEASE**



**QUICK RELEASE**





---

---

---

---

---

---

---

---

---

---

---

---

---

---

---

---

---

---

---

---

---

---

---

---

---

---

**Geberit Oy**

Tahkotie 1  
01530 Vantaa

**Kylpyhuonenäyttely**

Kaupintie 2  
00440 Helsinki

Tekninen neuvonta  
Puh. 010 662 304  
[www.ido.fi](http://www.ido.fi)

**Geberit Oy**

Marketing and sales  
Tahkotie 1  
01530 Vantaa  
Finland  
tel. +358 10 662300/  
export  
[www.idobathroom.com](http://www.idobathroom.com)

**Geberit Oy**

Slipstensvägen 1  
01530 Vanda

**Badrumsutsällning**

Krämarvägen 2  
00440 Helsinki

Teknisk rådgivning  
Tel. 010 662 304

**IDO Badrum**

Box 140  
295 22 Bromölla  
tel. 08-442 57 00  
fax 08-667 80 31  
[www.ido.se](http://www.ido.se)

**IDO Showroom**

För öppettider och besöksadress; se  
[www.ido.se](http://www.ido.se)

**Porsgrund Bad AS**

Geberit AS  
Luhrtoppen 2  
1470 Lørenskog  
Tlf: 81500011

[www.porsgrundbad.no](http://www.porsgrundbad.no)