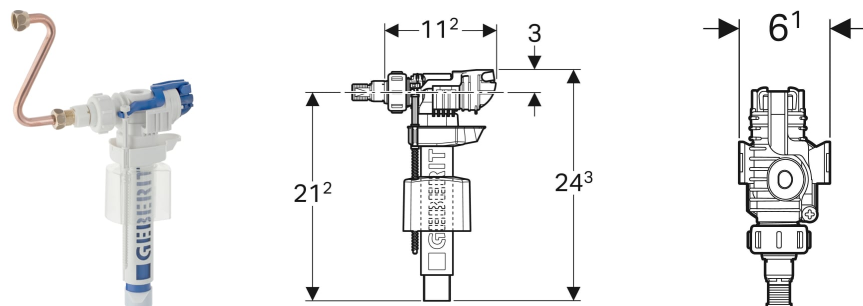


Geberit Type 380 fill valve, lateral water supply connection, 3/8", nipple made of brass



APPLICATION PURPOSES

- For Geberit concealed cisterns
- For greywater (rainwater) with pH value 6.0–9.5, if a filter system is used
- For potable water

CHARACTERISTICS

- Adjustable filling height
- Threaded nipple made of brass

- Water supply connection on the left/right
- Low-noise in accordance with tap group I (DIN 4109)

Flow rate at 3 bar	0.19 l/s
Minimum flow pressure	0.5 bar
Calculated flow rate	0.11 l/s

TECHNICAL DATA

Flow pressure	0.1–10 bar
Tap sound level at 3 bar	12 dB(A)
Tap sound level at 5 bar	18 dB(A)
Storage temperature	≤ 40 °C
Operating temperature, water max.	25 °C

SCOPE OF DELIVERY

- Adapter for nipple, for Type 350 fill valve
- Cone screw fitting
- Connection pipe made of copper

Art. no.	B cm	H cm	T cm
240.705.00.1	6.1	24.3	11.2